

acoustic door seals

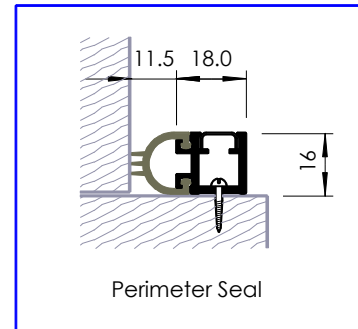
Steel and Timber Door Sets



A range of supplementary acoustic seals that can be readily attached to existing doors/door frames to improve acoustic performance.

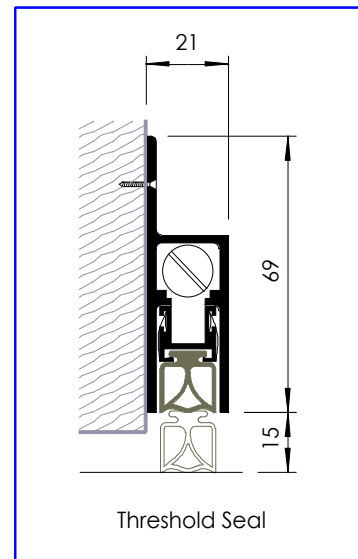
Peripheral Seal

A neat compact perimeter seal that can be attached directly to the existing head and jambs or even used as the primary door stop. The seal comprises a silver anodised aluminium extruded section with a grey pvc cover strip to conceal the fixings and a black thermoplastic rubber compression seal. A single door set pack consists of two lengths at 2.1m and one length at 1.0m. Other lengths are available on request. The seals can be readily cut to fit on site and are supplied with wood screws for fixing (self tapping screws for fixing to metal door frames are also available). Pre-drilled, slotted fixing holes allow adjustment and accurate positioning.



Threshold Seal

An automatic seal, designed for face fixing directly to the base of the door, which is spring loaded to lift clear of the floor as soon as the door is opened. The seal, which should be used in conjunction with a peripheral seal, comprises a silver anodised aluminium extruded section with a grey silicone rubber seal and grey pvc end caps. Designed for use with single swing doors and available in lengths from 335mm to 1135mm, in 100mm increments which can also be cut to ensure a precise fit. Fixing holes are pre-drilled and wood screws are supplied. The seal is designed to be self-levelling on uneven surfaces and can be adjusted independently of the fixing screws.



Meeting Stile Seal

Intended for double door arrangements to bridge gaps between the door leaves. The seal comprises a neat shallow silver anodised aluminium extruded section with two solid neoprene acoustic seals. The aluminium section is provided with pre-drilled holes for face fixing directly to the door and features a 'D' seal positioned over the door gap and a second seal across the face of the adjacent leaf. Available in three standard lengths of 1829mm, 2134mm and 3048mm, all of which can be cut to suit.

